



## [hiddn]<sup>TM</sup> PCI DT

(previous versions of DeskTop)



## Installation and User Guide

High Density Devices AS

**VERSION 1.1**

Please take the time to read this Guide carefully, as it is important that you read it at least once prior to installing and using the product. The Guide contains important information on how to install the [hiddn]™ PCI DT (previously version of DeskTop) in your computer, as well as instructions on use of it.

## 1. Introduction

Thank you for purchasing the [hiddn]™ PCI DT.

[hiddn]™ PCI DT safeguards your data anywhere. All data stored on a computer with [hiddn]™ PCI DT installed will be encrypted, and without the smart-card the data cannot be decrypted.

### Box Contents

- 1 [hiddn]™ PCI DT card
- External Smart Card Reader with cable for connection to PCI slot
- 1 “User smart-card” and 1 “Backup Smart-card”



## 2. Physical Installation

### 2.1 Installing the [hiddn]™ PCI DT in Your Computer

The [hiddn]™ PCI DT is Serial-ATA compliant and connects with Serial-ATA disks. HDD recommends that the [hiddn]™ PCI DT is connected to the primary system disk, although this is not mandatory. If you are in doubt whether you have a Serial-ATA hard drive, consult the documentation enclosed with your computer or contact your computer supplier.

Please ensure Anti-Static precautions are taken before beginning the installation.

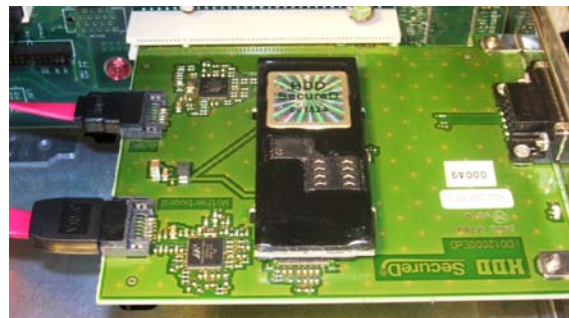
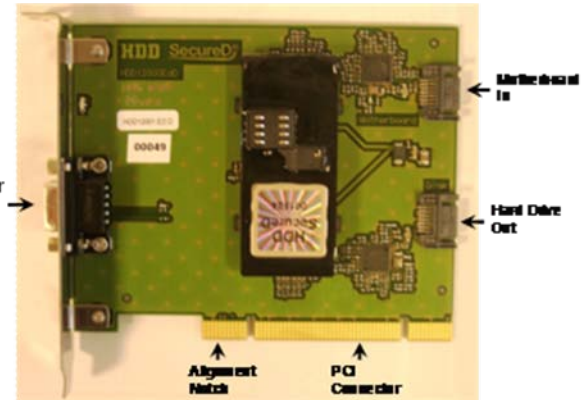
If you have a CD/DVD reader/writer, this should remain connected as it is. ([hiddn]™ PCI DT reads normally plaintext CDs/DVDs.)

Read the instructions for removal of casing and installation of hardware in your computer, provided by your computer manufacturer or supplier, before starting installation.

- Unscrew and remove the computer casing and open the computer so you can access the PCI card slots at the back of your computer
- Ensure that there is a free PCI-slot available
- Install the PCI DT unit into the unused PCI-slot in your computer, following the instructions for PCI-installation provided by your computer supplier/manufacturer
- Ensure the unit is firmly in place in the PCI-slot (that the “Alignment Notch” is firmly in place), that it is right side up (connectors facing upwards), and that it is perfectly aligned and connected



- Connect one end of a Serial-ATA cable to the motherboard of your computer and the other end to the “Motherboard”-slot on the back of the [hiddn]™ PCI DT
- Connect one end of the other Serial-ATA cable to the “Hard Disk Out”-connector on the [hiddn]™ PCI DT and the other end to the hard drive of your computer
- Close /refit the casing of the Computer and begin initialization
- Connect the Smart-card reader to the connector on the PCI DT



PCI DT Installed

### 3. First – Time Initialization

The first time you are using the [hiddn]™ PCI DT you must go through the *Initialization procedure*, where you enable the unit to recognize the User Smart-card. Please follow the instructions below carefully.

1. Power on the computer
  2. Observe that the status LED of the [hiddn]™ PCI DT shows a steady yellow light
  3. Gently insert (and remove) the *User Smart-card* 4 times with the chip side facing down, (leave it inserted for some seconds every time), and leave it inserted upon the 4<sup>th</sup> insertion.  
During insertion the LED will blink yellow and green, but shortly after the 4<sup>th</sup> insertion it will change to a steady green light. ( Make sure to leave it inserted for some seconds)
  4. Once the status LED shows a steady green light, power off the computer and power back on, ensuring the *User Smart-card* is inserted
  5. Observe that the status LED shows a steady green light
- The computer is now ready for normal operation and the [hiddn]™ PCI DT will operate as any other hard drive as long as the smart-card is inserted

**NOTE:** *Always store the User and Backup Smart-cards in a safe place once you have removed it from the computer.*

### 4. Use of the Backup Smart-card

If you ever lose the *User Smart-card*, you can use the *Backup Smart-card* to get access to your data. Before using the *Backup Smart-card* for normal operation, you must initialize it. To initialize, follow steps 1 – 6 in section 3.

After initialization, the *Smart-card* can be used for normal operation as if it was the *User Smart-card*.

## IMPORTANT

Please note the following when using your **[hiddn]™ PCI DT**:

- The **[hiddn]™ PCI DT** is delivered with two smart-cards containing random generated encryption keys.
- HDD can IN NO CASE reproduce either of these smart-cards, if lost or rendered unusable by customer.
- If the User Smart-card is lost or becomes unusable, it is strongly advised to use Backup Smart-card to move the data stored on the device to another storage device. Then new Smart-cards should be ordered (see below).
- A NEW set of User and Backup Smart-card can be ordered from HDD. This will NOT give access to any data stored prior to using these new smart-cards (all data stored with previous smart-cards will be lost)
- HDD accept no responsibility for data lost or left inaccessible due to loss or misuse of smart-cards.

HDD offers a Key Management System (KMS). This proprietary administrative utility system is for managing lifecycle functions of **[hiddn]™** Smartcards and the accompanying **[hiddn]™** products. It is designed for larger organizations, value added resellers, IT managers of business units and military units deploying **[hiddn]™** technology. The KMS is delivered as a dedicated workstation.

## Trademark Disclaimers

*High Density Devices, HDD, [hiddn]™ and the HDD [hiddn]™ logo and graphics are trademarks of High Density Devices AS, Norway.*

## Disclaimer

*High Density Devices accepts no liability for any consequential, incidental, direct or indirect damage (including loss of business profits, business interruption, loss of business information and similar events causing losses to business) arising from any action and/or inaction based on information contained in this document.*

*High Density Devices does not accept any liability for any loss of data and/or company and/or personal information that may result from any action and/or inaction based on information contained in this document. Users are instructed to make backups of all data prior to installation of any device or product described herein.*

*All [hiddn]™ PCI DT parts are High Density Devices' parts, and High Density Devices does not accept any liability for any direct or indirect loss related to the handling and/or mishandling of any of the parts and/or a combination of the parts provided in this package.*

*High Density Devices reserves the right to at any time and without notification, change its offer and/or price and/or availability of parts.*

## Contact High Density Devices AS

E-mail: [support@hdd.no](mailto:support@hdd.no)  
Website: <http://www.hiddn.no>